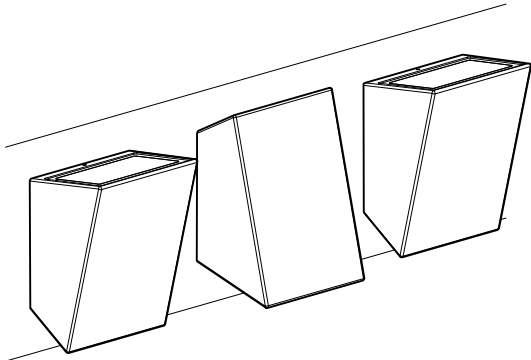




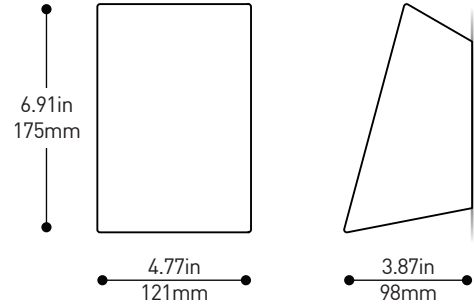




CLIFF 341X

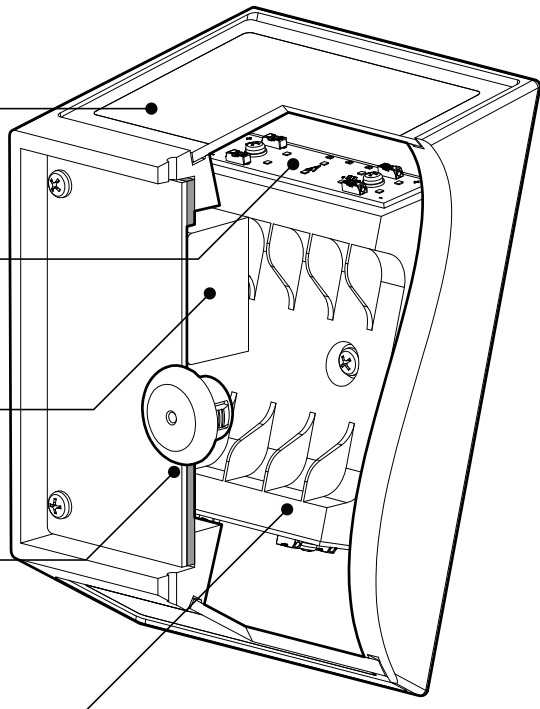


SWITCH THINGS UP
Cliff can be fixed in various positions to create unique patterns



IP 65 UL WET

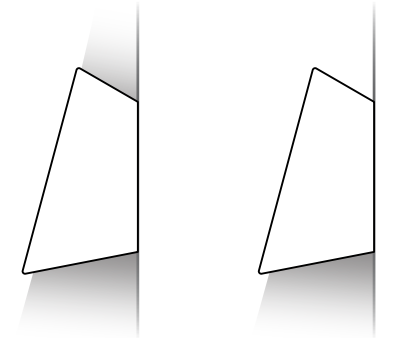
- DURABLE DIFFUSER**
A solid frosted tempered glass lens produces a diffused wide beam angle
- CUSTOM LED MODULE**
Custom LED module with a powerful output. Cliff is available with a dual (3418) or single (3419) light source
- INTEGRATED DRIVER**
Standard electronic driver integrated within the fixture with choice of 0-10V dimming or phase dimming
- FACTORY-SEALED**
With its clever sealing system, Cliff was designed to resist any water infiltration
- THERMAL MANAGEMENT**
A custom designed heat sink helps dissipate much of the heat emitted from the LED modules



ADA COMPLIANT
With less than 4" in depth, Cliff is ideal for environments where ADA compliance is required

3418
Dual direction

3419
Single direction

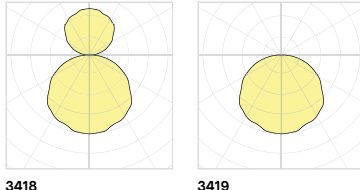


PRODUCT SPECIFICATION	3418	3419
PERFORMANCE		
SYSTEM WATTAGE (LO/REG/HO)	11.4W / 16.7W / 23.9W	8.5W / 12W
DELIVERED LUMENS (4000K)	904LM / 1253LM / 1688LM	778LM / 1048LM
OTHER INFORMATIONS		
LUMINAIRE'S WEIGHT	7LBS / 3KG	7LBS / 3KG
L70 (LUMEN MAINTENANCE)	> 60 000 HRS	> 60 000 HRS

EFFICACY MULTIPLIERS

CRI	CCT	FACTOR
80+	4000K	1.00
80+	3500K	0.94
80+	3000K	0.94
80+	2700K	0.94
90+	4000K	N/A
90+	3500K	N/A
90+	3000K	N/A
90+	2700K	N/A

LIGHT DISTRIBUTION

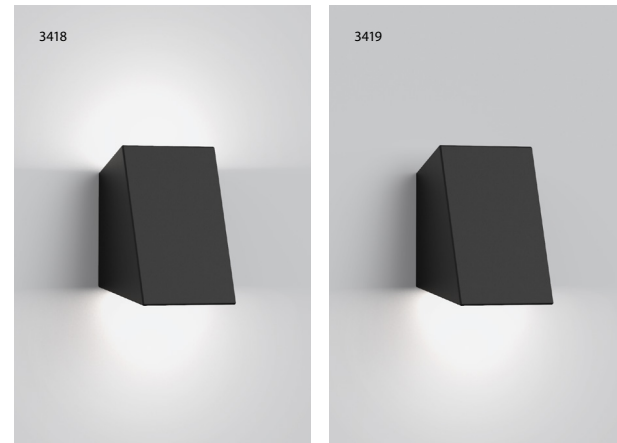


WEATHER-RESISTANT
Cliff's durable structure was developed to withstand the various outdoor conditions



CLIFF 3418/3419

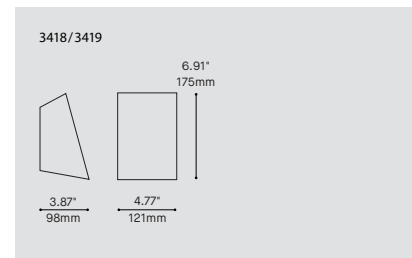
PROJECT PROJÉT
SPEC TYPE
NOTES



FINISH FINI



BLKE WHE

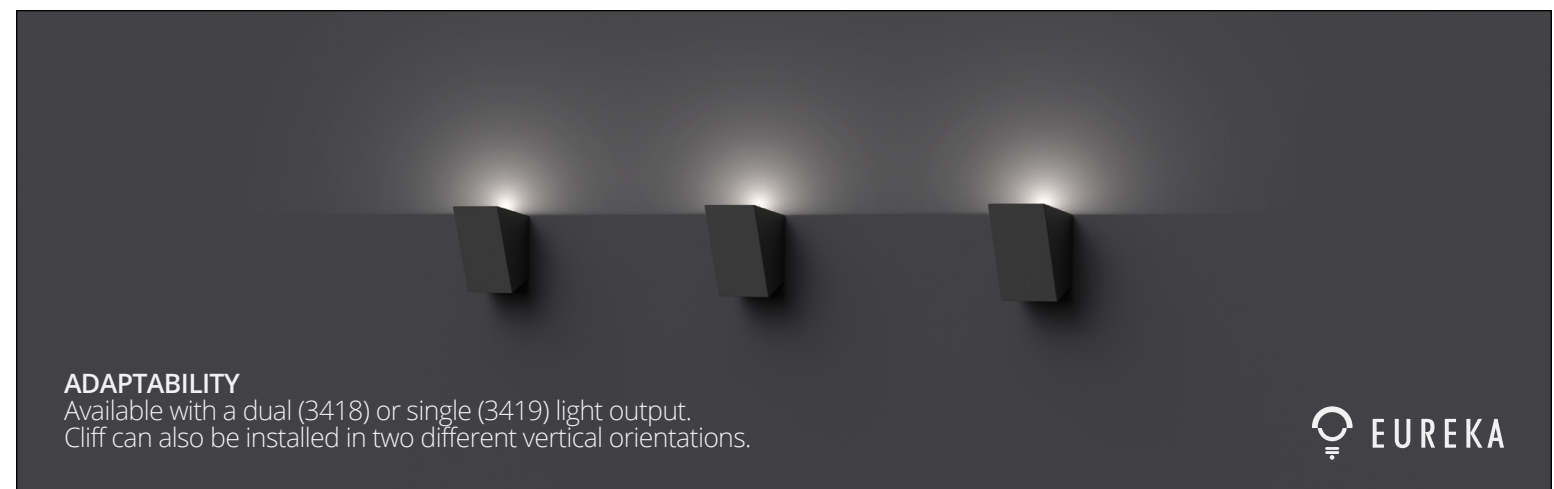
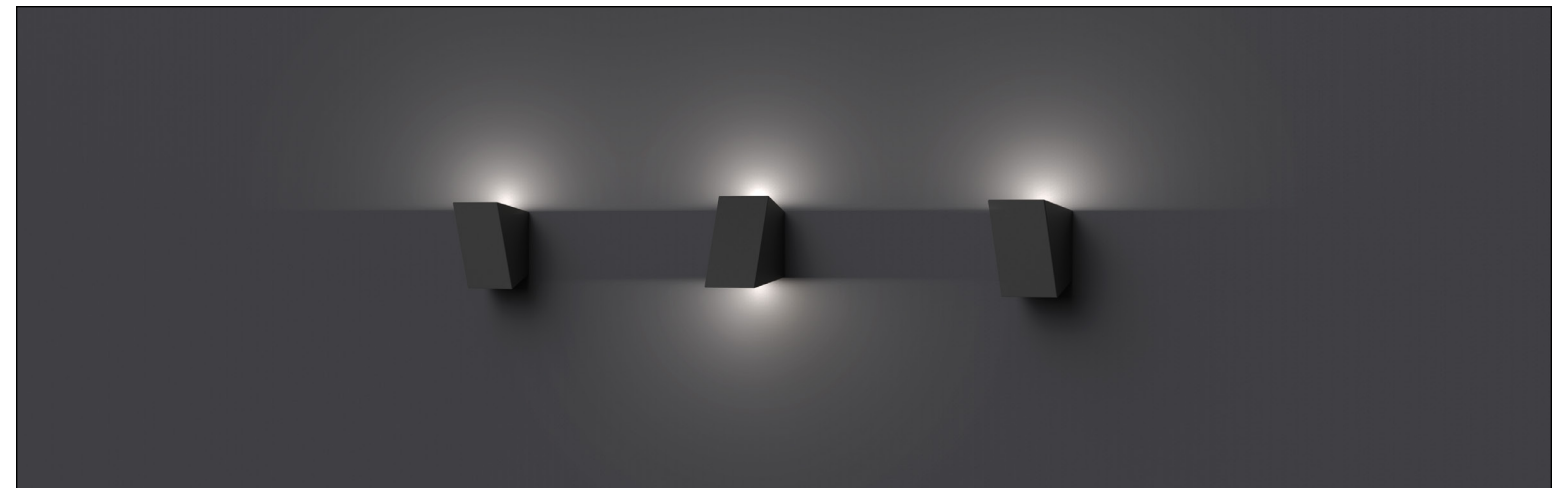
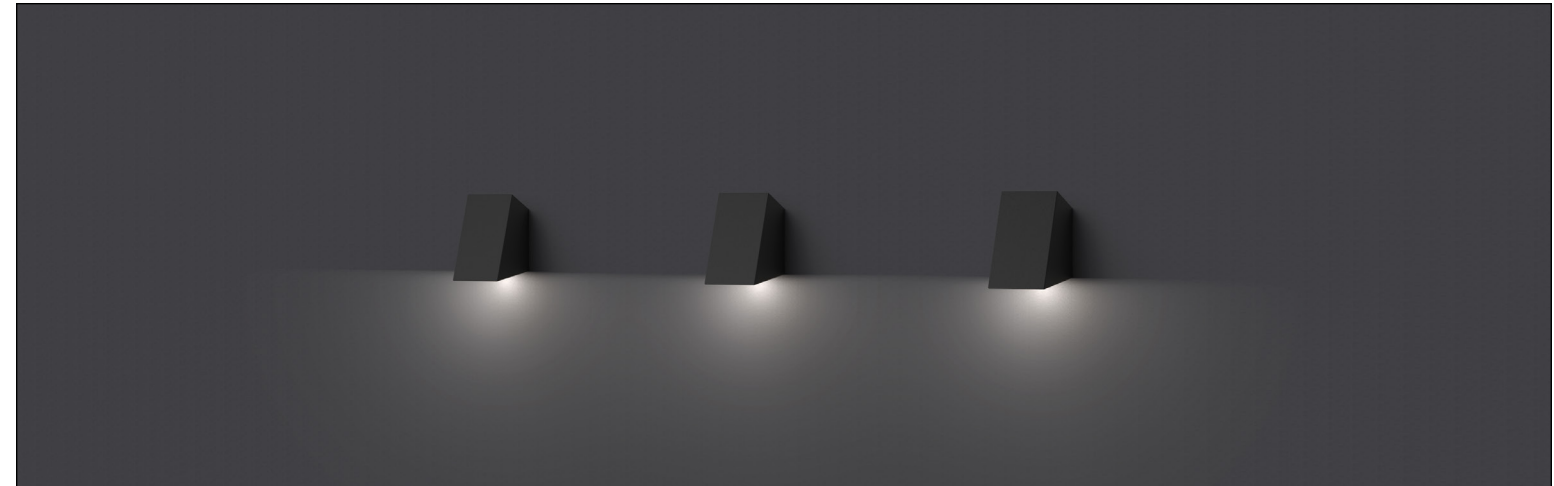
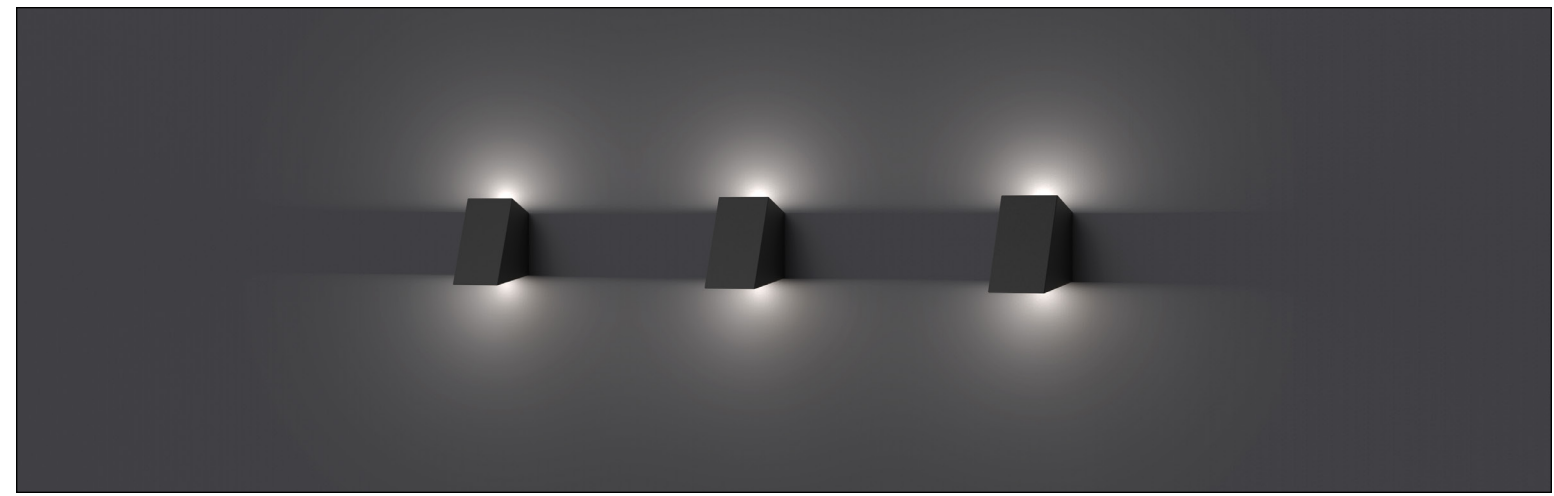


ORDERING SPECIFICATION SPÉCIFICATION DE COMMANDE		CODE
MODEL MODÈLE		
3418	CLIFF - DUAL DIRECTION	
3419	CLIFF - SINGLE DIRECTION	
LIGHT SOURCE SOURCE LUMINEUSE		
3418		
LED.LO	LOW OUTPUT	
LED	REGULAR OUTPUT	
LED.HO	HIGH OUTPUT	
3419		
LED	REGULAR OUTPUT	
LED.HO	HIGH OUTPUT	
COLOR TEMPERATURE TEMPÉRATURE DE COULEUR		
30	3000K	
35	3500K	
40	4000K	
COLOR RENDERING INDEX (CRI) INDICE DE RENDU DE COULEUR (IRC)		80
80	80+ CRI	
VOLTAGE VOLTAGE		
120V	120 VOLT	
277V	277 VOLT	
DIMMING OPTION OPTION DE GRADATION		
DV	0-10V DIMMING (120V-277V)	
DP	PHASE DIMMING (120V ONLY)	
LED DIMMING DRIVER IS STANDARD IN THIS PRODUCT, PLEASE SPECIFY YOUR DIMMING TYPE		
EMERGENCY BATTERY BATTERIE D'URGENCE		
FOR INDOOR INSTALLATION ONLY. FOR 120V-277V ONLY. EM DRIVER BOX INCLUDED, INSTALLED REMOTELY. SEE EM GUIDE FOR DETAILS.		
EMB*	EMERGENCY BATTERY FOR REMOTE BOX	
*3981EA ACCESSORY IS REQUIRED		
HOUSING FINISH FINI BOITIER		
BLKE	BLACK FINE TEXTURE	
WHE	WHITE FINE TEXTURE	
DIFFUSER FINISH FINI DIFFUSEUR		FRO
FRO	FROSTED	
ACCESSORY ACCESSOIRE		
3981EA	ELECTRICAL BOX FOR EMB EMERGENCY BATTERY	

PRODUCT CHARACTERISTICS CARACTÉRISTIQUES DU PRODUIT



DESIGN:	A minimal yet rugged design; Cliff's charm is expressed through its simplicity and ingenuity. Its dual (3418) or single (3419) light output, can illuminate any space whether outdoor or indoor. (ADA compliant).
INSTALLATION:	Minimalist wall mounted installation with no visible fasteners. Cliff can be installed in two different vertical positions.
LIGHT SOURCE:	Custom designed LED module available in various light outputs. Offered with standard dimming options 0-10V (DV) or phase (DP).
HOUSING:	Durable die cast aluminum housing allows for high resistance to various weather conditions. Offered in a black or white textured finish.
CERTIFIED:	c-USA-us. Rated IP65/UL Wet (water resistance).
CONCEPTION:	Un design à la fois minimaliste et robuste; Cliff démontre son charme par sa simplicité et son ingéniosité. Son éclairage double (3418) ou simple (3419) peut illuminer tout espace, extérieure ou intérieur. (Conforme à l'ADA).
INSTALLATION:	Installation murale minimale sans vis apparente. Cliff peut être installé dans deux différentes positions verticales.
SOURCE LUMINEUSE:	Module DEL unique offert avec plusieurs options d'intensité lumineuse. Disponible avec gradation standard de type 0-10V (DV) ou phase (DP).
BOITIER:	Boitier durable en aluminium moulé permet une haute résistance aux conditions extérieures variées. Disponible en fini texturé noir ou blanc.
CERTIFIÉ:	c-USA-us. Évalué IP65/UL Wet (résistance à l'eau).



ADAPTABILITY
Available with a dual (3418) or single (3419) light output. Cliff can also be installed in two different vertical orientations.



PHOTOMETRIC REPORT

3418 - DUAL DIRECTION

PHOTOMETRIC REPORT

3419 - SIGNLE DIRECTION

3418 - LED LO

CCT (K):	4000
Delivered Lumens (lm):	904
System wattage (W)*:	11.4
Distribution:	Direct/Indirect
Delivered Efficacy (lm/W):	79.3
Photometric type	C

Luminous dimensions

Luminous shape:	Rectangle
Units:	in (mm)
0-180 Axis:	3.94 (100)
90-270 Axis:	3.94 (100)
Height:	7.87 (200)

Luminaire spacing criteria

2 luminaires, plane 0:	1.47
2 luminaires, plane 90:	1.23
4 luminaires:	1.34

*System wattage include driver and LED module consumption

3418 - LED REG

CCT (K):	4000
Delivered Lumens (lm):	1253
System wattage (W)*:	16.7
Distribution:	Direct/Indirect
Delivered Efficacy (lm/W):	75.0
Photometric type	C

Luminous dimensions

Luminous shape:	Rectangle
Units:	in (mm)
0-180 Axis:	3.94 (100)
90-270 Axis:	3.94 (100)
Height:	7.87 (200)

Luminaire spacing criteria

2 luminaires, plane 0:	1.43
2 luminaires, plane 90:	1.23
4 luminaires:	1.32

*System wattage include driver and LED module consumption

3418 - LED HO

CCT (K):	4000
Delivered Lumens (lm):	1688
System wattage (W)*:	23.9
Distribution:	Direct/Indirect
Delivered Efficacy (lm/W):	70.6
Photometric type	C

Luminous dimensions

Luminous shape:	Rectangle
Units:	in (mm)
0-180 Axis:	3.94 (100)
90-270 Axis:	3.94 (100)
Height:	7.87 (200)

Luminaire spacing criteria

2 luminaires, plane 0:	1.41
2 luminaires, plane 90:	1.18
4 luminaires:	1.31

*System wattage include driver and LED module consumption

3419 - LED REG

CCT (K):	4000
Delivered Lumens (lm):	778
System wattage (W)*:	8.5
Distribution:	Direct
Delivered Efficacy (lm/W):	91.5
Photometric type	C

Luminous dimensions

Luminous shape:	Rectangle
Units:	in (mm)
0-180 Axis:	3.94 (100)
90-270 Axis:	3.94 (100)
Height:	7.87 (200)

Luminaire spacing criteria

2 luminaires, plane 0:	1.44
2 luminaires, plane 90:	1.23
4 luminaires:	1.32

*System wattage include driver and LED module consumption

3419 - LED HO

CCT (K):	4000
Delivered Lumens (lm):	1048
System wattage (W)*:	12.0
Distribution:	Direct
Delivered Efficacy (lm/W):	87.3
Photometric type	C

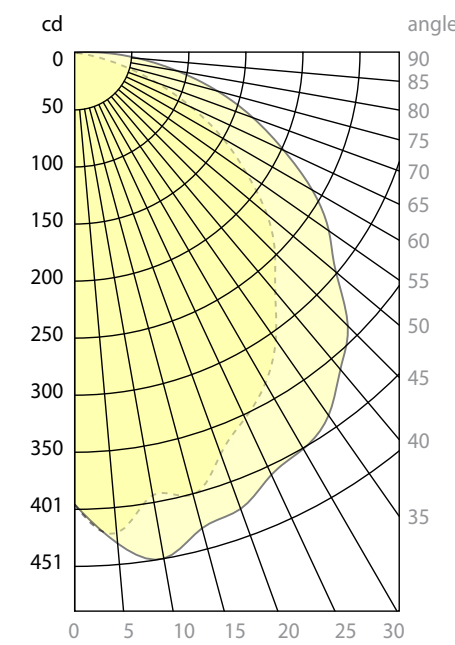
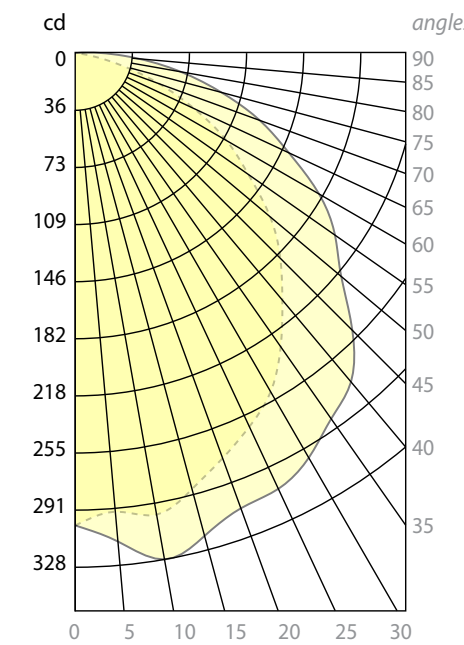
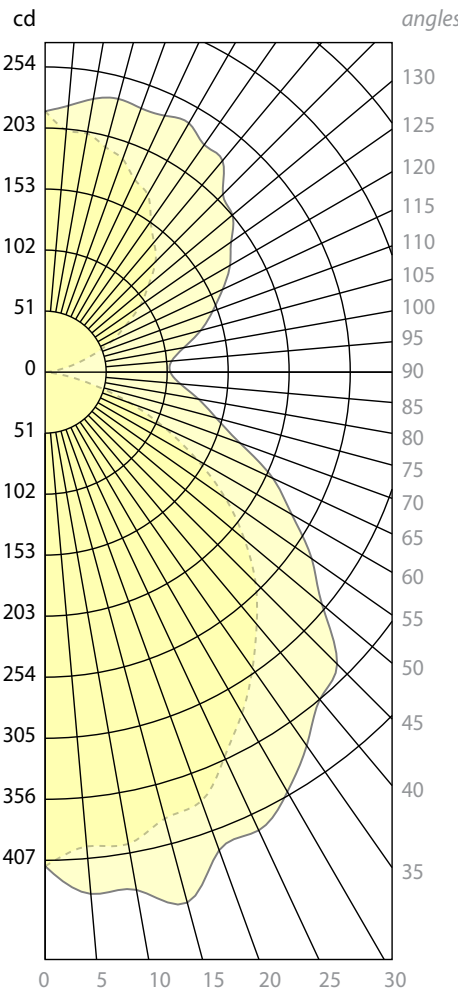
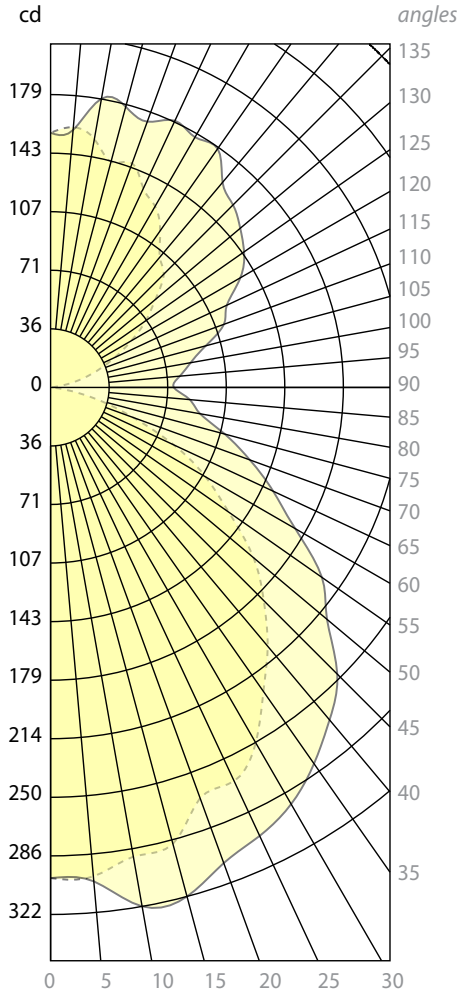
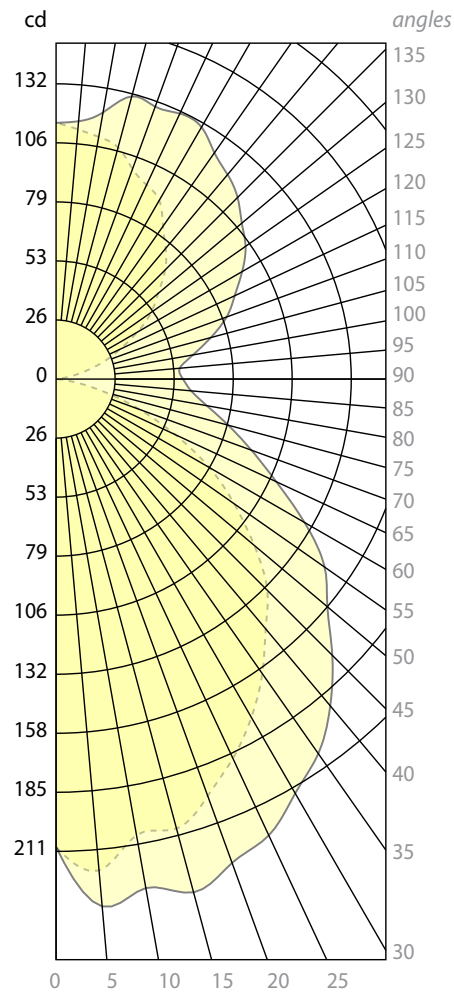
Luminous dimensions

Luminous shape:	Rectangle
Units:	in (mm)
0-180 Axis:	3.94 (100)
90-270 Axis:	3.94 (100)
Height:	7.87 (200)

Luminaire spacing criteria

2 luminaires, plane 0:	1.47
2 luminaires, plane 90:	1.24
4 luminaires:	1.33

*System wattage include driver and LED module consumption



———— 0 - 180
 - - - - - 90 - 270

———— 0 - 180
 - - - - - 90 - 270

